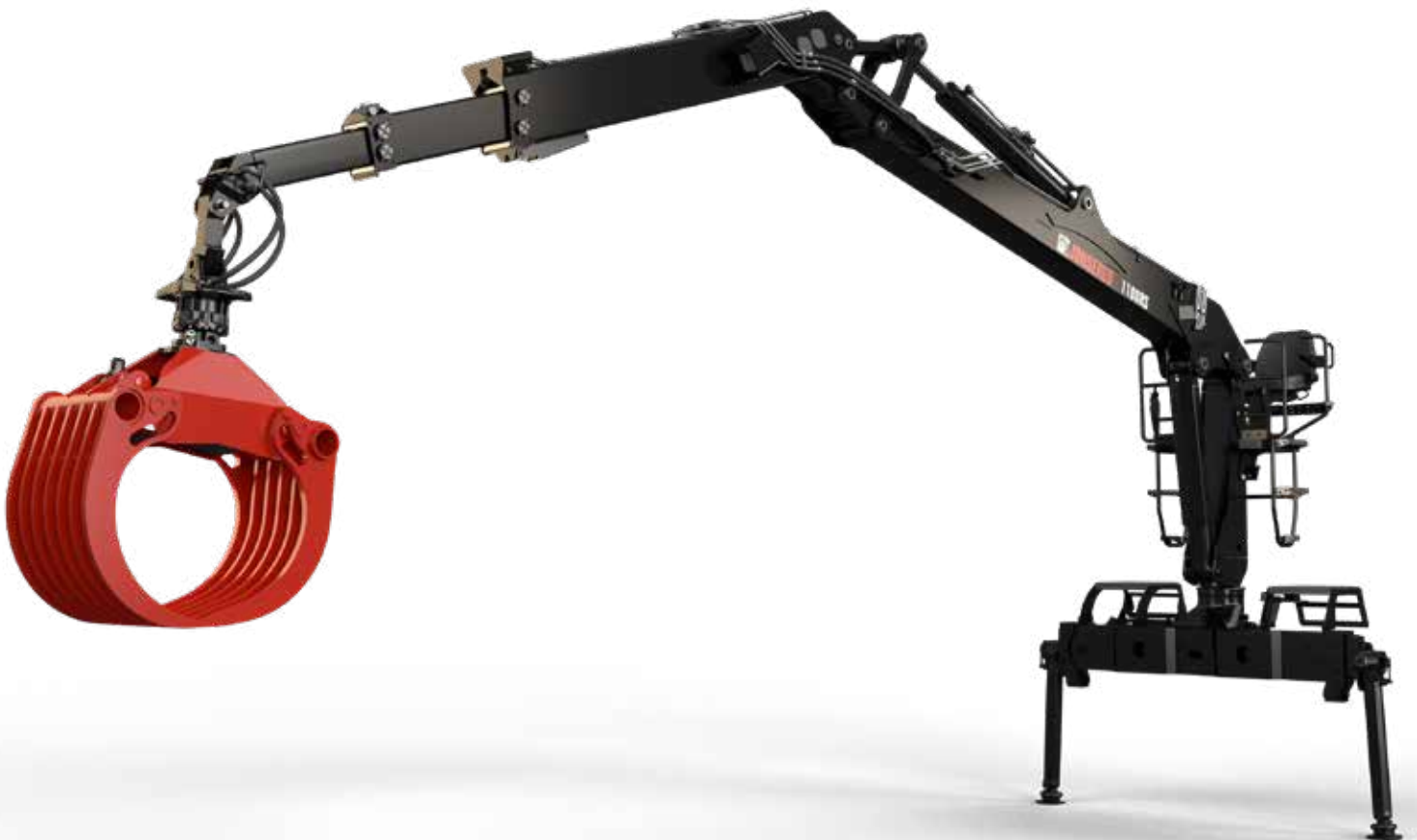


JONSERED 1100RS



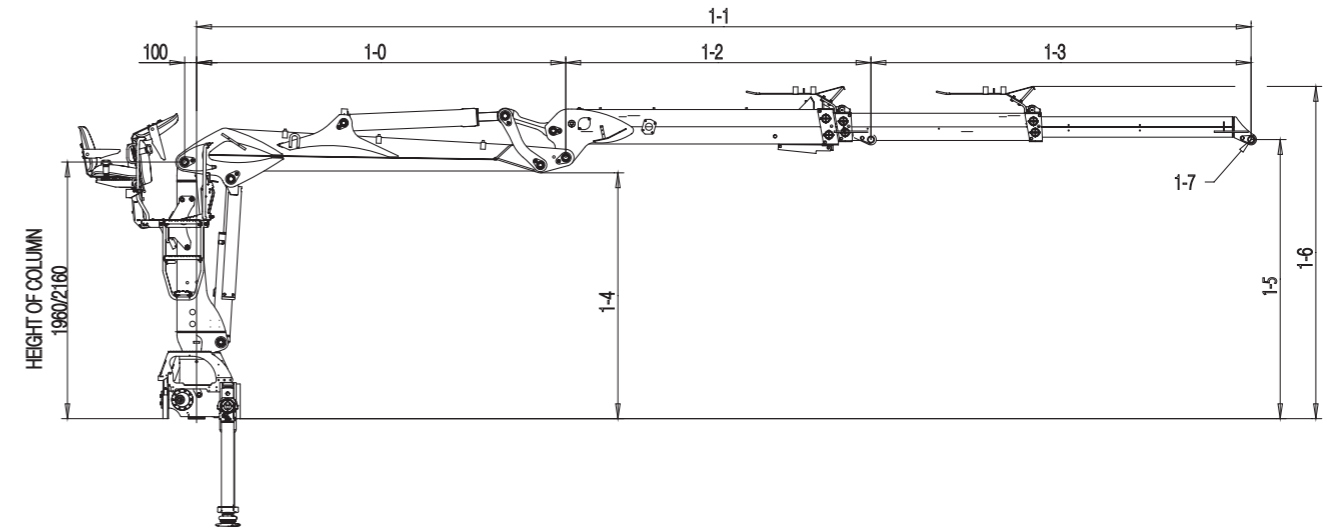
BASIC DATA

JONSERED 1100RS BASIC DATA

Technical data	J1100RS 71	J1100RS 79	J1100RS 84	J1100RS 89	J1100RS 97	J1100RS 102
Max. lifting capacity (kNm)	109	106	105	104	100	97
Max outreach (m)	7.1	7.9	8.4	8.9	9.7	10.2
Number of extensions	1	1	1	2	2	2
Outreach / lifting capacity (m/kg)	3.0 - 3300	3.0 - 3420	3.0 - 3100	3.0 - 3150	3.0 - 3150	3.0 - 3200
	4.0 - 2650	4.0 - 2590	4.0 - 2550	4.0 - 2500	4.0 - 2440	4.0 - 2340
	5.0 - 2220	5.0 - 2120	5.0 - 2080	5.0 - 2120	5.0 - 1980	5.0 - 1920
	6.0 - 1840	6.0 - 1780	6.0 - 1760	6.0 - 1760	6.0 - 1680	6.0 - 1600
	7.1 - 1480	7.0 - 1520	7.0 - 1500	7.0 - 1500	7.0 - 1420	7.0 - 1380
	7.9 - 1280	-	8.0 - 1300	8.0 - 1230	8.0 - 1180	8.0 - 1180
			8.4 - 1180	8.8 - 1140	9.0 - 1080	9.0 - 1040
					9.7 - 960	10.2 - 880
Slewing system	Single					
Slewing angle (°)	415					
Slewing torque, gross (kNm)	21.9					
Max. working pressure (MPa)	26					
Recommended oil flow – fixed pump (l/min), 1-pump	120					
Recommended oil flow – fixed pump (l/min), 2-pump	2x80					
Recommended oil flow – variable displacement pump (l/min max)	160					
Weight - High seat crane with standard stabilizer (kg)*	2010	2050	2075	2200	2240	2265

*Weight with fixed pump system, oil weight included

Side view



Measures	1-1		COLUMN 1960			COLUMN 2160						
	Model	1-0	1-1 min	1-1 max	1-2	1-3	1-4	1-5	1-6	1-4	1-5	1-6
71	3107	5527	7107	2420	1580	1870	2104	2414	2070	2304	2614	Ø40, B=184
79	3906	6326	7906	2420	1580	1875	2112	2418	2075	2312	2618	Ø40, B=184
84	4405	6825	8405	2420	1580	1877	2115	2419	2077	2315	2619	Ø40, B=184
89	3107	5712	8862	2605	3150	1870	2149	2512	2070	2349	2712	Ø40, B=184
97	3906	6511	9661	2605	3150	1875	2158	2520	2075	2358	2720	Ø40, B=184
102	4405	7010	10160	2605	3150	1877	2161	2524	2077	2361	2724	Ø40, B=184

For more information,
please visit us at www.hiab.com



BUILT TO PERFORM

Hiab is the world's leading provider of on-road load handling equipment. Customer satisfaction is the first priority for us. Hiab's product range includes HIAB loader cranes, JONSERED recycling and forestry cranes, LOGLIFT forestry cranes, MOFFETT truck mounted forklifts and MULTILIFT demountables, as well as DEL, WALTCO and ZEPRO tail lifts.

hiab.com

Hiab is part of Cargotec.

cargotec.com

Disclaimer. We reserve the right to make changes. Illustrations, drawings and data are not always in accordance with the latest version or standard model in production. The models in the pictures may present special equipment or colours.

BD-J1100RS-EN-EU_190207