

# HIAB X-CL 16



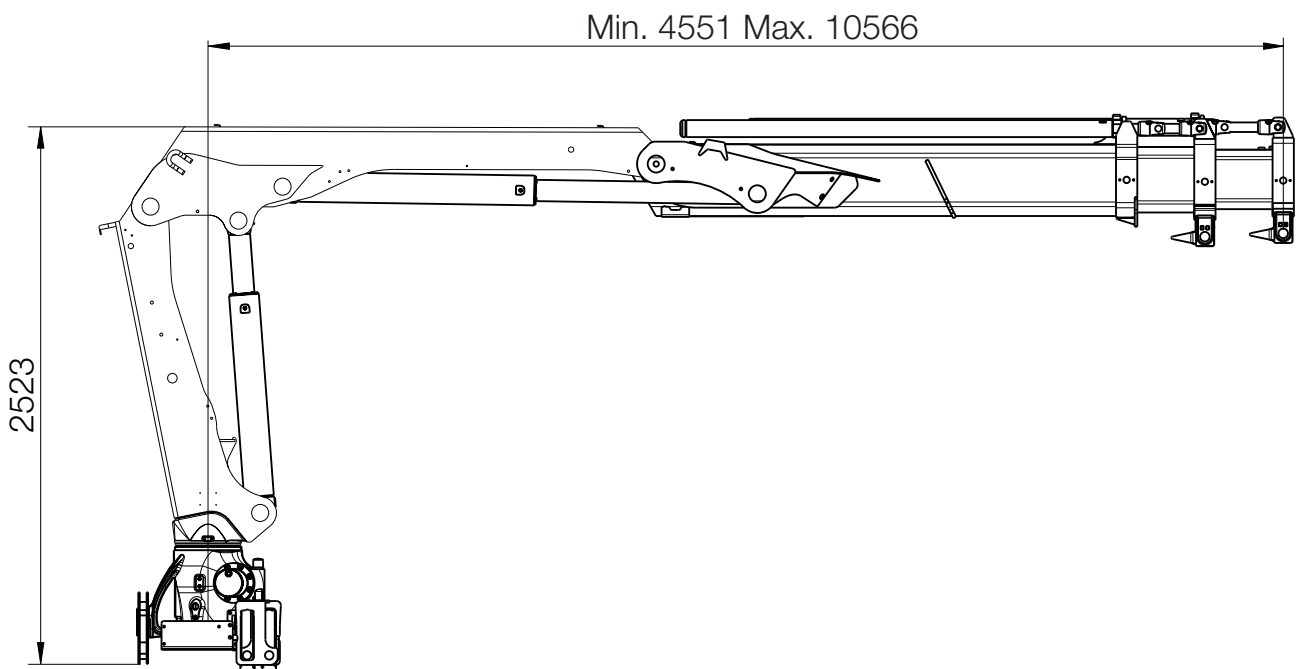
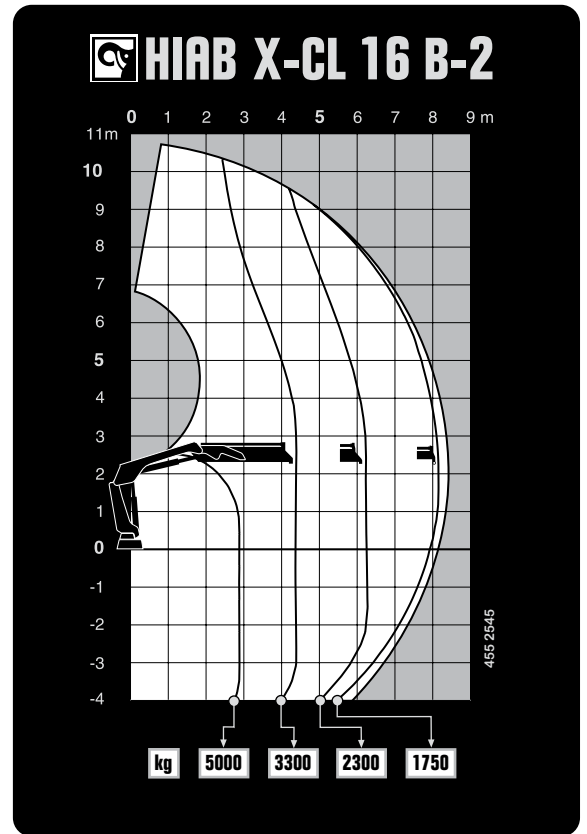
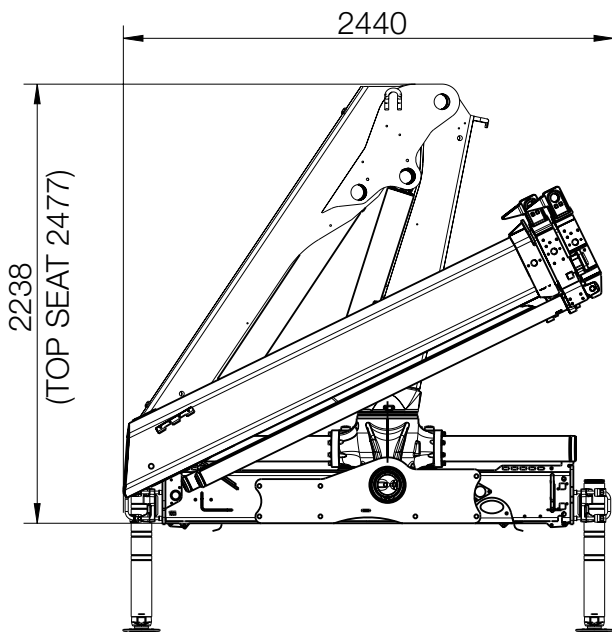
# HIAB X-CL 16 BASIC DATA

BASIC DATA	X-CL 16 B-2	X-CL 16 B-3
Mdyn	179 kNm	181 kNm
Lifting capacity (kNm)	141.7	137.0
Lifting capacity (tm)	14.4	14.0
Outreach - lifting capacity, standard (m-kg)	2.9 - 5 000 4.4 - 3 300 6.2 - 2 300 8.1 - 1 750	3.1 - 4 500 4.5 - 3 050 6.3 - 2 150 8.2 - 1 600 10.1 - 1 300
Outreach - lifting capacity, manual extensions (m-kg)	10.3 - 1 280	-
Hydraulic outreach, standard (m)	8.4	10.6
Hydraulic boom extension (m)	3.8	5.8
Outreach, manual extensions (m)	10.5	-
Lifting height above installation level, hydr/man (m)	10.8/12.9	13.0/-
Rec. oil flow (l/min)	20 - 30	20 - 30
Working pressure (Mpa)	27.0	27.0
Oil in tank (l)	70 - 200	70 - 200
Tank capacity (l)	0 - 235	0 - 235
Slewing angle (°)	415	415
Max slope viable at full capacity (°)	5.9	5.9
Slewing torque, gross (kNm)	16.4	16.4
Lifting speed at standard hydraulic outreach (m/s)	0.7	0.8
Height in folded position (mm)	2238	2238
Width in folded position (mm)	2440	2498
Install space required (mm)	815	920
Crane in standard version without stabiliser system (kg)	1 510	1 640
Frame attachments (kg)	65	65
Stabiliser system equipment (kg)	233 - 297	233 - 297

This table show one example of a model, and represents some of all options available. With the opportunity to configure your crane, we can provide you with a crane perfectly tailored to your needs.

Please contact your local dealer for more information and the exact data on the variety of options we can offer.

Hiab X-CL 16 B-2



# BUILT TO PERFORM

Hiab is the world's leading provider of on-road load handling equipment. Customer satisfaction is the first priority for us. Hiab's product range includes HIAB loader cranes, JONSERED recycling and forestry cranes, LOGLIFT forestry cranes, MOFFETT truck mounted forklifts and MULTILIFT demountables, as well as DEL, WALTCO and ZEPRO tail lifts.

[hiab.com](http://hiab.com)

Hiab is part of Cargotec.

[cargotec.com](http://cargotec.com)



[hiab.com](http://hiab.com)